



HELLO, I'M WARREN.

I've worked in the art industry for over ten years, as a printer, designer, and art director.

I am proficient in traditional and digital illustration, and have been commissioned nationally for projects ranging from apparel to packaging.

I live and work in Collingswood, NJ.



South Jersey Women for
Progressive Change
(logo)

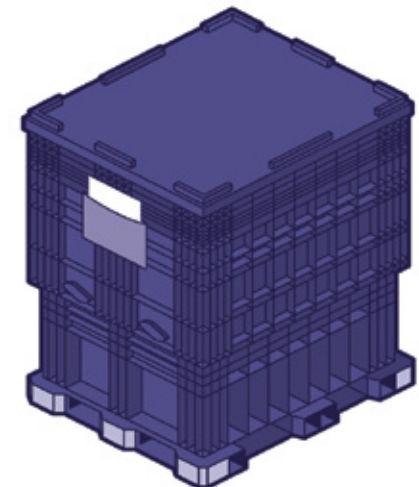
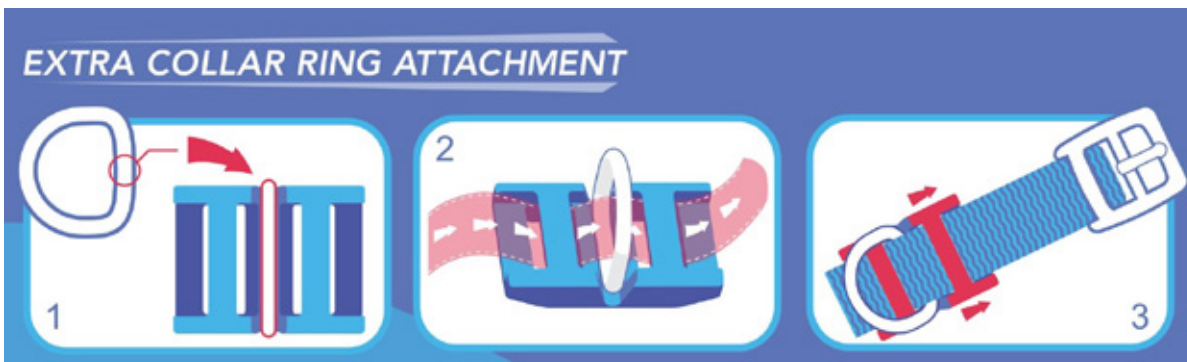


*Treatment Keeper is a software that stores and organizes seed data for farmers.
(logo/app icon)*



*AgPlots is a software for organizing agricultural data.
(logo/app icon/vector illustrations)*

Instructional illustrations for product packaging.





WEISKAMP
SCREEN PRINTING




GIVE BACK.

All Not For Profit Organizations can get
100 shirts for \$399.

1-color front + back or 2-color front
Basic 100% cotton or 50/50 T-shirt • February - March •
ordering is easy: 217-398-8428 weiskamp.com

WEISKAMP
POP-UP
PROMOTIONS

*“No Pinch” *
Special:*

10.....\$10^{ea.}
15.....\$7^{ea.}
25+.....\$5^{ea.}

Basic Green Tee • 1-Ink Color • 1-Location
Order by 3/11 for delivery 3/16. *exp. 3/20*

I. CHOOSE YOUR DESIGN



II. SELECT YOUR PRODUCT



III. WATCH IT PRINT!




LIMITED EDITION
2015 PYGMALION SHIRTS

DESIGNED BY ARTISTS FROM

WEISKAMP
SCREEN PRINTING
Your Community Print Shop.



logo, print, and marketing materials for Weiskamp Screen Printing

Weiskamp Holiday Shop

Now Open!

10% OFF

YOUR ORDER WITH CODE:

HOLIDAY10

stores.inksoft.com/WeiskampHolidayShop

Order by: Pick up:

12/1 12/9
12/8 12/16
12/16 12/20

Holiday Hours for Pickup:

Monday - Friday 9:30 to 5:30
Saturday 10:00 to 2:00
Last Day for Pickup is 12/23

Shipping options are also available.

Last day to order with shipping is Friday 12/13.



THE

Weiskamp Holiday Shop

HAS THE PERSONALIZED
GIFTS YOU NEED

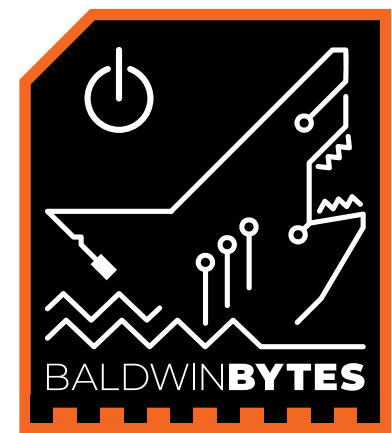




above:
menu illustrations

left:
program cover

right:
BaldwinBytes is a
computer repair
business.
(logo/print materials)



4-5 October 2013 | Faculdade de Ciências Sociais e Humanas, Avenida Berna 26 C, 1069-061 Lisboa

Design and Planning Processes
Building Processes
Environmental Impacts
Social Impacts

Associated
Close, Closer
Project

Fourth International Conference on
The Constructed Environment

Featured Speakers

- Beatrice Galilee – Chief Curator, Close, Closer, London/Lisbon
- Jeffery S. Poss, FAIA – Conference Chair, University of Illinois at Urbana-Champaign, USA
- Mark Harris – mharrisARCH, USA

constructedenvironment.com

BALDWIN BYTES RIBBON CUTTING CEREMONY

ENTER TO WIN A

\$850 CUSTOM PC

TICKETS:

\$10 EACH OR 5 FOR \$45

Proceeds from the ticket sales will be donated to the Mahomet Stingers, a Youth Recreational Baseball Team.



**COMPUTER REPAIR & SUPPORT
MAHOMET, ILLINOIS | 217-689-4521**

BALDWINBYTES.COM

